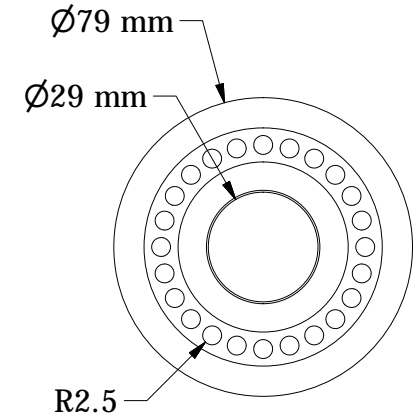
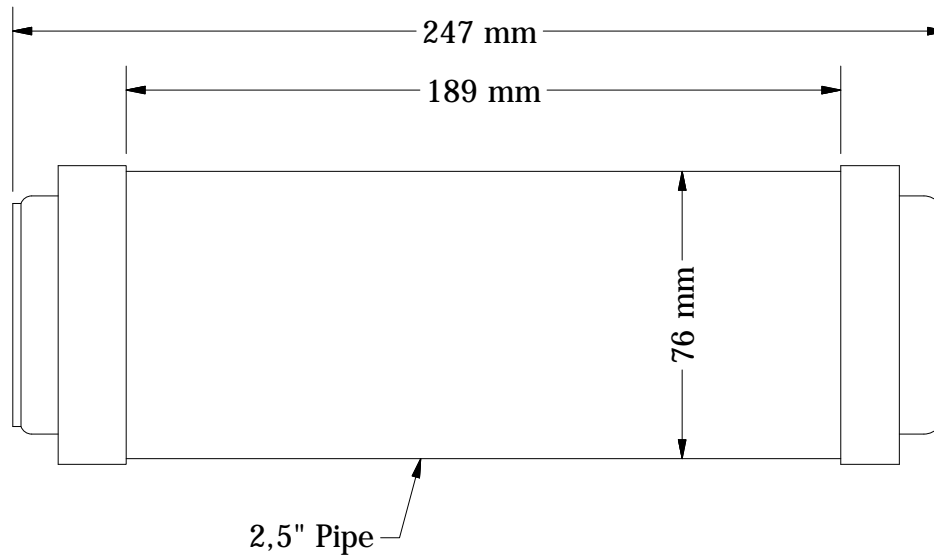
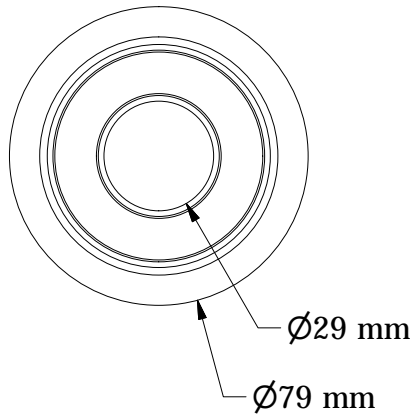



UF U-210
SCALE 1 : 2



Specification

Capacity : 50 L/hour
Material : PVC
Weight : +/- 0,47 kg

DRAWN Andree	04/04/2011			
CHECKED				
APPROVED		TITLE		
		UF U-210		
		SIZE	DWG NO	REV
		A4	GDP-UF-U-210	
		SCALE	SHEET 2 OF 2	

