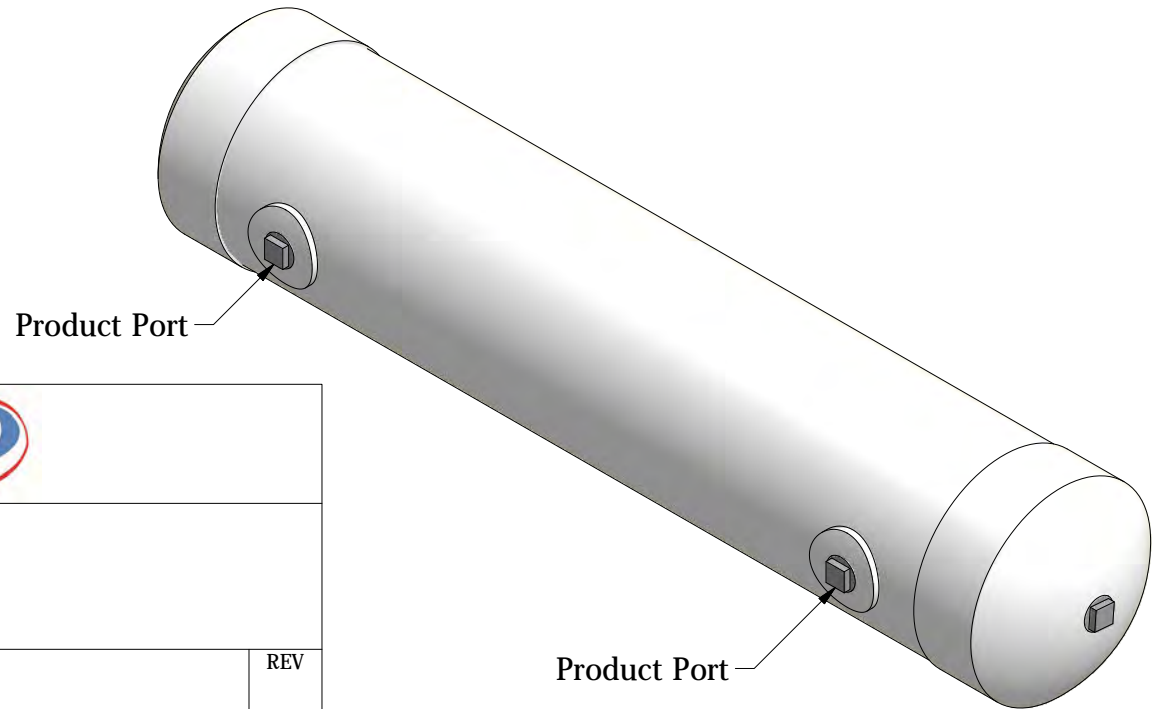
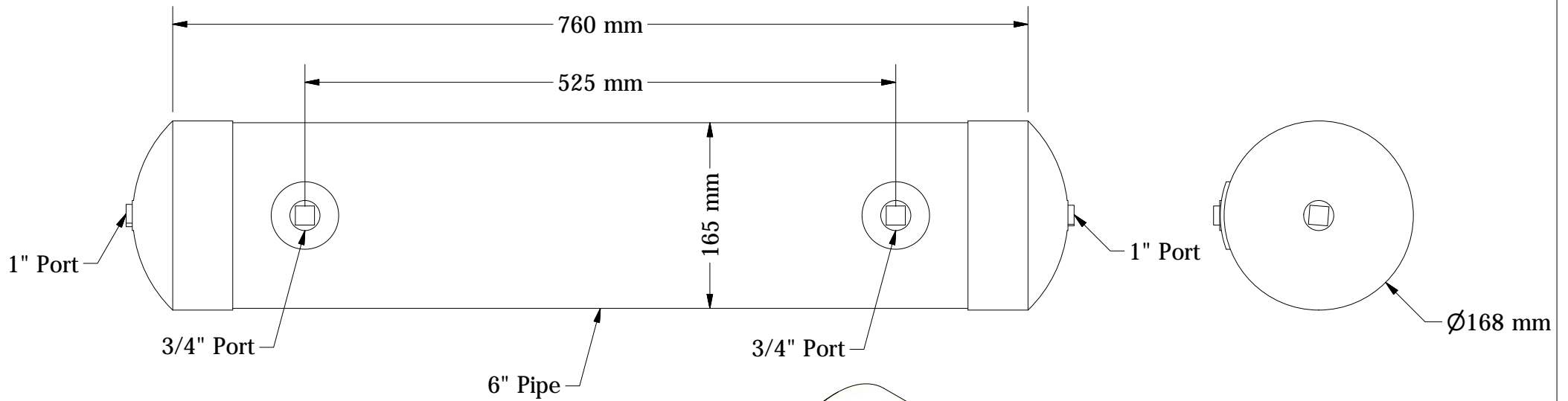



UF S-630
SCALE 1 : 5



Specification

Capacity : 700-1200 L/hour
Material : PVC
Weight : +/- 10 kg

DRAWN Andree	02/04/2011			
CHECKED				
APPROVED		TITLE		
		UF S-630		
		SIZE	DWG NO	REV
		A4	GDP-UF-S-630	
		SCALE	SHEET 2 OF 5	