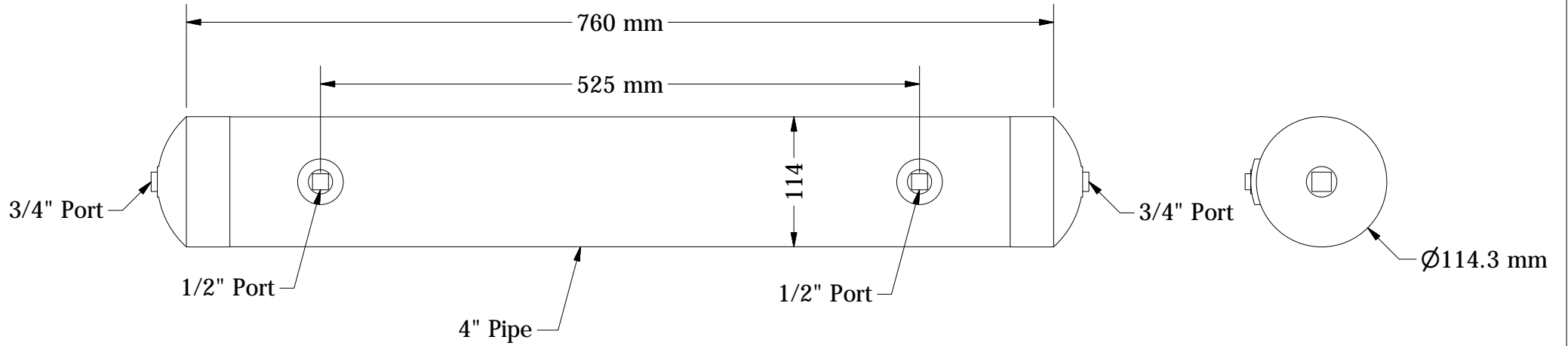
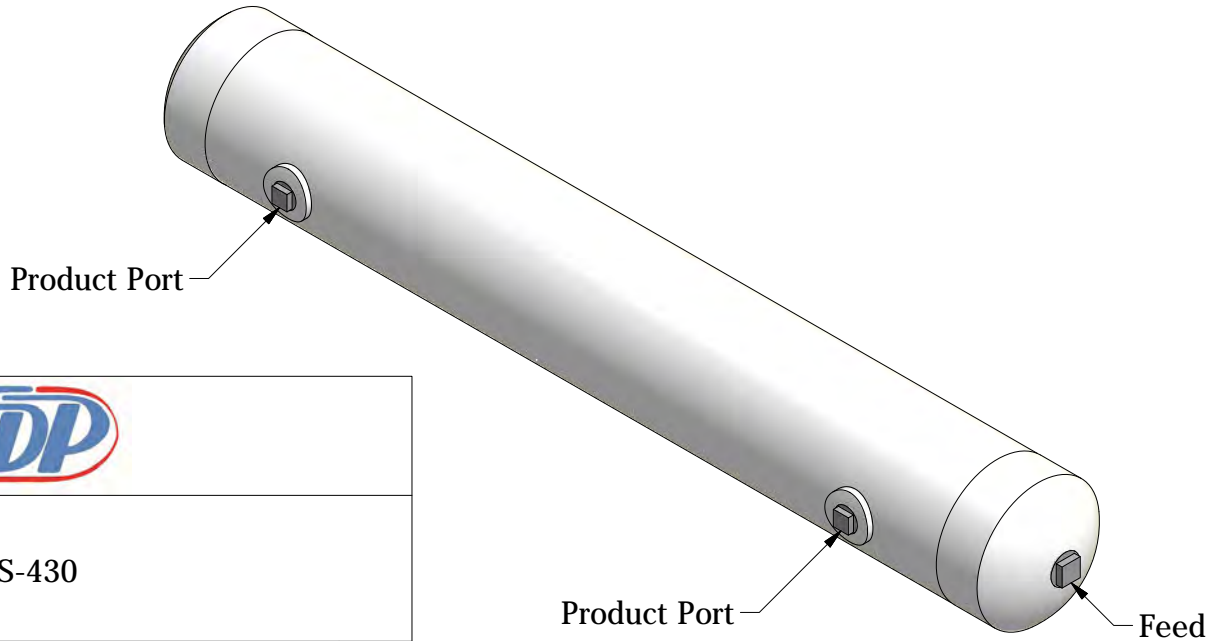



UF S-430
SCALE 1 / 5



Specification

Capacity : 250 - 300 L/hour
Material : PVC
Weight : +/- 2,54 kg



DRAWN Andree	02/04/2011			
CHECKED				
APPROVED		TITLE		
		UF S-430		
		SIZE	DWG NO	REV
		A4	GDP-UF-S-430	
		SCALE	SHEET 3 OF 5	